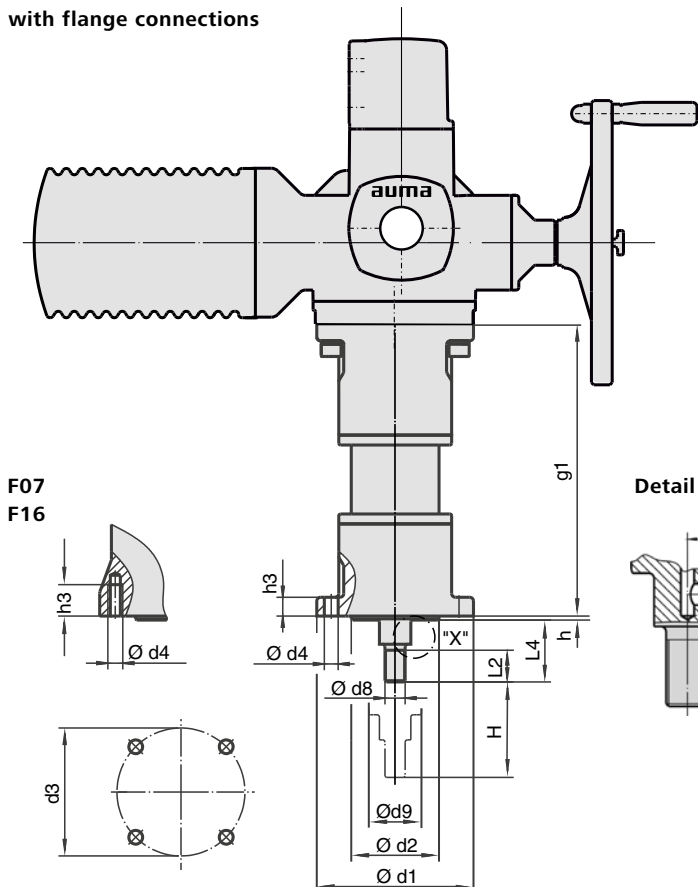


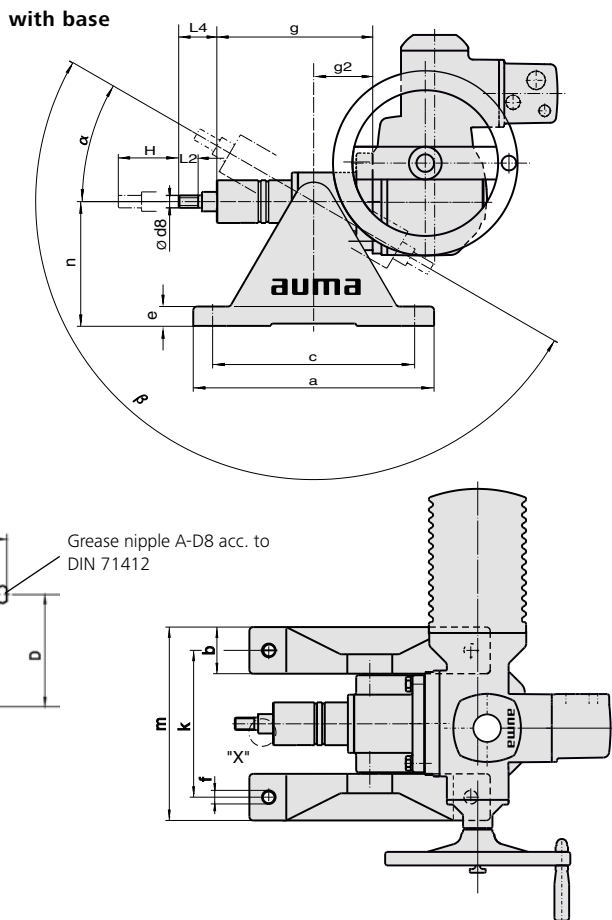
LE 12.1 – LE 200.1
SA 07.2 – SA 16.2 / SAR 07.2 – SAR 16.2

with flange connections



F07
F16

with base



Detail X

Grease nipple A-D8 acc. to
DIN 71412

Detail refer to „Mounting dimensions linear thrust unit“
Standard version, actuator clockwise rotation: extending stem
Dimensions of actuator refer to sheet „Dimensions SA 07.2 – SA 16.2“ latest issue

Dimensions	LE 12.1					LE 25.1					LE 50.1					LE 70.1					LE 100.1					LE 200.1				
DIN 3358	F07/F10					F07/F10					F10					F14					F14					F16				
suitable actuator	SA 07.2 SAR 07.2					SA 07.6 SAR 07.6					SA 10.2 SAR 10.2					SA 14.2 SAR 14.2					SA 14.6 SAR 14.6					SA 16.2 SAR 16.2				
H (stroke)	50	100	200	400	500	50	100	200	400	500	63	125	250	400	80	160	320	400	500	80	160	320	400	500	100	200	400	500		
a	310					310					310					565					565					565				
b	60					60					60					80					80					80				
c	260					260					260					500					500					500				
Ø d1	□75/125					□75/125					125					175					175					210				
Ø d2	55 g7/70 f8					55 g7/70 f8					70 g7					100 f8					100 f8					130 f8				
Ø d3	70/102					70/102					102					140					140					165				
d4	M8/11					M8/11					11					18					18					M20				
Ø d8	M12 x 1.25					M16 x 1.5					M20 x 1.5					M36 x 3					M36 x 3					M42 x 3				
Ø d9-0.1	42					42					55					70					70					100				
e	25					25					25					32					32					32				
f	17.5					17.5					17.5					26					26					26				
g	195	245	345	545	645	195	245	345	545	645	238	300	425	575	296	376	536	616	716	296	376	536	616	716	367	467	667	767		
g1	191	241	341	541	641	191	241	341	541	641	234	296	421	571	293	373	533	613	713	293	373	533	613	713	362	462	662	762		
g2	70					70					70					70					70					80				
h	3,4/3					3,4/3					3,4					4					4					4				
h3	20/15					20/15					15					18					18					32				
k	190					190					190					262					262					303				
m	249					249					249					342					342					383				
n	160					160					160					315					315					315				
D	37					42					43					63					63					76				
E	18					21					24					26					26					29				
L2	20					25					30					55					55					65				
L4 ±0.2	45					50					55					75					75					90				
α max.	30°					30°					30°					25°					25°					25°				
β max.	145°					145°					140°					140°					140°					140°				

We reserve the right to alter data according to improvements made. Previous documents become invalid with the issue of this document.